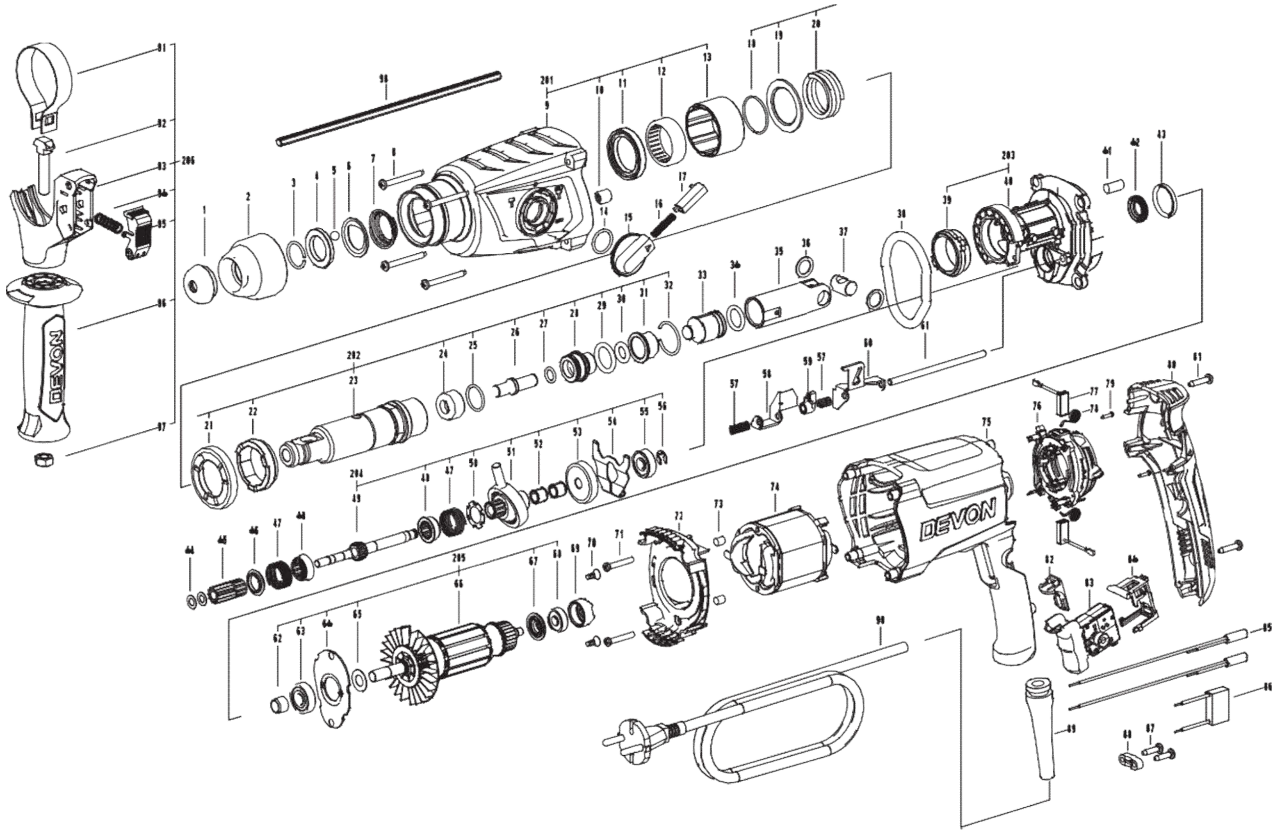




Máy khoan búa Devon 1107-26DRE

Cập nhật ngày: 02/06/2016



STT	Mã linh kiện	Tên Linh Kiện	SL	Giá tham khảo	Lưu ý
1	3123110001	Dust Cap	1	19,000	
2	3125890001	Plastic Sleever	1	26,000	
3	3660280001	C Ring	1	5,000	
4	3550802001	Steel Ring	1	22,000	
5	5700172001	Steel Ball	1	3,000	
6	3703710002	Clip	1	12,000	
7	3660290001	Spring	1	15,000	
8	5610234002	Tapping Screw	4	3,000	
ss	3125626001	Gear case	1	126,000	
10	5700023003	Needle Bearing	1	26,000	
11	5690229001	Frame Seal	1	73,000	
12	5700240001	Needle Bearing	1	55,000	
13	3520574001	Bush	1	44,000	
14	5690195001	O Ring	1	8,000	
15	3402480001	Knob	1	8,000	
16	3660279001	Spring	1	6,000	
17	3123318001	Lock Botton	1	8,000	
18	5660179001	C Ring	1	8,000	
19	5650386001	Washer	1	12,000	
20	3660476001	Compression Spring	1	22,000	
21	3520573001	Clutch Gear	1	37,000	
22	3520575001	Clutch Ring	1	65,000	
23	3551617002	Spindle Bush	1	323,000	
24	3551649001	Pressing Ring	1	30,000	I
25	5690239001	O Ring	1	19,000	II
26	3551650002	Anvil	1	48,000	III
27	5690269001	O Ring	1	12,000	

28	3551651001	Pressing Ring	1	44,000	II
29	5690234001	Rubber Ring	1	19,000	
30	5690235001	O Ring	1	12,000	
31	3551652001	Pressing Ring	1	37,000	III
32	5660180001	C Ring	1	8,000	
33	3551653002	Percussion Hammer	1	58,000	
34	5690238001	O Ring	1	24,000	
35	3551654001	Cylinder	1	91,000	
36	5650385001	Washer	2	8,000	
37	3551655001	Rod Bush	1	30,000	
38	5690233001	O Ring	1	30,000	
39	5700171001	Oil Impreging Bearing	1	55,000	
40	3421208001	Middle Cover	1	134,000	
41	3704931001	Felt Block	1	8,000	
42	5690240001	Frame Seal	1	51,000	
43	5690265001	Rubber Ring	1	8,000	
44	5650290001	Washer	2	3,000	
45	3551659001	Pinion	1	91,000	
46	3551661001	Bush	2	37,000	
47	3660477001	Compression Spring	2	8,000	
48	3520572001	Clutch	2	65,000	
49	3551656001	Shaft	1	144,000	
50	3704920001	Spring Support	1	12,000	
51	5700238002	Oscillating Rod Bearing	1	180,000	
52	5700241001	Needle Bearing	2	22,000	
53	3551657001	Gear	1	69,000	Loại 1
54	3704098002	Bearing Clamping Plate	1	26,000	
ss	5700005007	Ball Bearing	1	22,000	
56	5660139001	E Ring	1	6,000	
57	3660481001	Compression Spring	2	3,000	
58	3704916001	Push Plate	1	37,000	
59	3520576001	Lock Block	1	22,000	
60	3704915002	Push Plate	1	37,000	
61	3551658001	Plunger	1	19,000	
62	3552025001	Crank Roller	1	19,000	
63	5700011007	Ball Bearing	1	65,000	
64	3704914001	Bearing Clamping Plate	1	24,000	
65	5650216001	Plain Washer	1	8,000	
66	2750938001	Rotor	1	259,000	
67	3123119001	Dust Washer	1	5,000	
68	5700004010	Ball Bearing	1	30,000	
69	3126223001	Bearing Holder	1	8,000	
70	5610260001	Thread Forming Screw	2	3,000	
71	5610034003	Tapping Screw	2	5,000	
72	3125755001	Fan Baffle	1	19,000	
73	3121006001	Rubber Insert	2	3,000	
74	2740306001	Stator	1	198,000	
75	3321178001	Motor Housing	1	126,000	
76	2823065001	(DRE) Rotatable Brush Holder ASSY	1	126,000	
77		Carbon Brush	2		
78	3660042001	Spring	2	5,000	
79	5610001003	Tapping Screw	2	3,000	
80	3321154001	Rear Handle Cover	1	69,000	
81	5610042014	Tapping Screw	2	2,000	
82	3125757001	Switch Buffle	1	5,000	
83	4870468001	Trigger Switch	1	209,000	
84	3125756001	Switch container	1	8,000	
85		Inductor	2		
		Inner Wire			
86		Capacitor	1		
87	5610032003	Tapping Screw	2	3,000	

88	3122798001	Cord Anchorage	1	5,000	
89	3121124002	Cord Guard	1	8,000	
90	4810002708	Power Cord & Plug	1	144,000	
91	3704926001	Hoop	1	33,000	
92	5640202001	Hexagon Head Bolt	1	8,000	
93	3125778001	Support	1	26,000	
94	3660072002	Spring	1	5,000	
95	3125779001	Button	1	12,000	
96	3321164001	Auxiliary Handle	1	65,000	
97	5630016001	Hexagon Nut	1	5,000	Loại 1 hình lục giác
98	3551688001	Depth Stop	1	33,000	
201	2823063001	Gear Case Assy	1	288,000	
ss	2823061001	Spindle Bush Assy	1	538,000	
203	2823059001	Middle Cover Assy	1	180,000	
204	2823062001	Middle Shaft Assy	1	664,000	
205	2823058002	Rotor Assy	1	413,000	
206	2823060001	Auxiliary Handle ASSY	1	126,000	
207	2825363001	Carbon Brush Assembly	1	30,000	Bao gồm: 2 cái 77#
208	2823008001	Hammerhead oil	1	58,000	Ống mỡ 30g
209	2823008002	Cylinder oil	1	91,000	Ống mỡ 55g
210	2823008003	Gear oil	1	55,000	Ống mỡ 55g

Ghi Chú:

- Giá trên đã bao gồm 10% VAT.
- Linh kiện chính hãng từ nhà sản xuất.
- Bảng giá có hiệu lực từ 01/08/2019 đến khi có báo giá mới.